

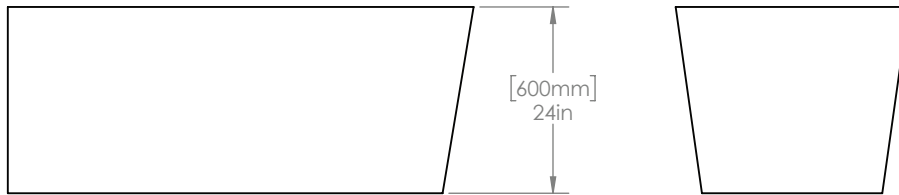
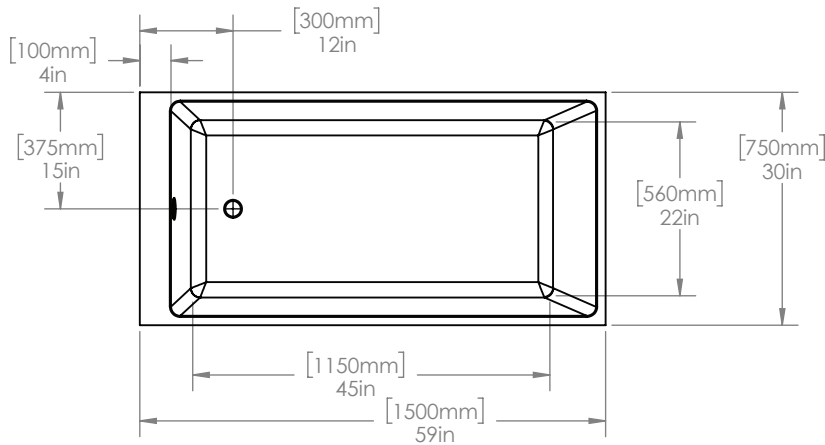


**A&E Bath and Shower**  
 6400A St. Jacques West  
 Montreal, QC, Canada  
 H4B 1T6  
 www.aebath.com

Model Modèle: BT-065-NF

Freestanding bathtub *Baignoire autoportante*

**TOP VIEW VUE DE DESSUS**



**FRONT VIEW VUE DE FACE**

**SIDE VIEW VUE DE CÔTÉ**

\* Dimensions may vary +/- 1/4" (6mm) / Les dimensions peuvent varier de +/- 1/4" (6mm)

gallons to overflow /	61 gal.
packaging dimension /	61 X 32 X 26 in
approximated weight /	86 lbs
weight with water /	595 lbs
bathing well at sump /	45 x 22 in

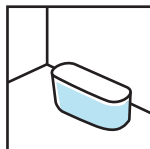


**Compliance Certifications:**

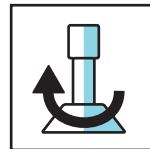
Uniform Plumbing Code  
 National Plumbing Code of Canada  
 CSA B45.5-17/IAPMO Z124-2017



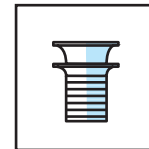
Pure acrylic construction reinforced by fiberglass  
*Construction en acrylique renforcée de fibre de verre*



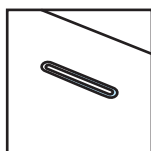
Freestanding installation  
*Installation autoportante*



Adjustable feet  
*Pattes ajustables*



Chrome drain included  
*Drain chrome inclu*



Integrated chrome linear overflow  
*Trop plein linéaire chrome intégré*



CUPC certified  
*Certifié CUPC*